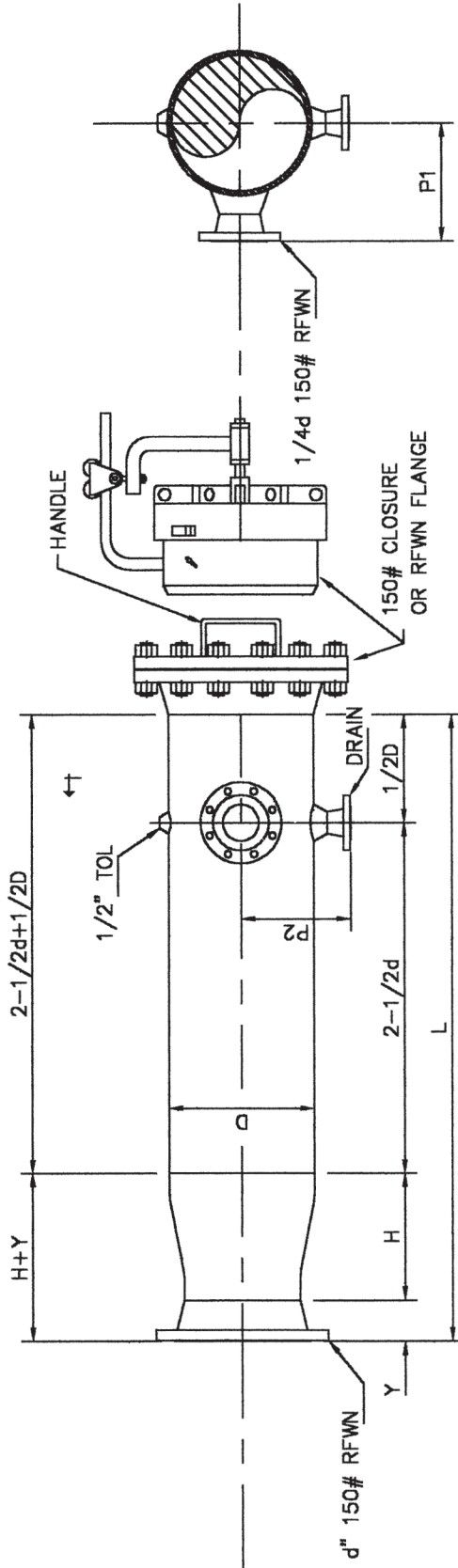


**SNUBBER**

NOTES:  
 THE TRAP BARREL MUST BE AT LEAST 2" LARGER THAN THE LINE SIZE. THIS IS USUALLY ONE PIPE SIZE LARGER.  
 KICKER OUTLETS SHOULD BE AT LEAST 1/4 THE DIAMETER OF THE PIPE LINE.  
 ALL FLANGES AND/OR CLOSURES ARE CLASS 150# PIPE AND FITTINGS ARE USUALLY STANDARD PIPE WALL THICKNESS.  
 RECEIVERS ARE SUPPLIED WITH A SNUBBER TO MINIMIZE LINE STOPPAGE AND PIG DAMAGE IN RECEIVING OPERATIONS.

NOMINAL LINE SIZE	NOMINAL BARREL SIZE	L	H	Y
4"	6"	23-1/16"	5-1/2"	3"
6"	8"	30-3/8"	6"	3-1/2"
8"	10"	38"	7"	4"
10"	12"	45-1/4"	8"	4-1/2"
12"	16"	58-3/8"	14"	5"
14"	16"	62"	14"	5-1/2"
18"	20"	80-1/2"	20"	5-11/16"
20"	24"	87-11/16"	20"	6"
24"	28"	104"	24"	4-15/16"
28"	32"	115"	24"	5-3/8"
30"	34"	121-3/8"	24"	6-3/16"
36"	42"	141-3/16"	28"	6-3/4"
42"	48"	163-3/4"	28"	7-9/16"
48"	56"	185-9/16"	30"	

50" AND ABOVE PROVIDED UPON APPLICATION.



D= BARREL DIAMETER  
 d= LINE SIZE  
 H= HEIGHT OF CONCENTRIC REDUCER  
 Y= FLANGE LENGTH THRU THE HUB

**LAUNCHER/RECEIVER**

SECTION A  
 1

**Flowmore Services & Division of P.P.P.**  
 P.O. Box 692005-300 Houston, Texas 77286  
 Ph 1 (800) 356-9887  
 Ph 1 (281) 351-7878  
 Fax 1 (281) 285-2385  
 Telex 710112507



**150# STANDARD LAUNCHER/RECEIVER**

REVISIONS	
NO.	DATE

UNLESS OTHERWISE SPECIFIED DIMENSIONS IN INCHES TOLERANCES:  
 DECIMAL .XX ±.015  
 .XXX ±.010  
 FRACTIONAL ± 1/32  
 ANGULAR ± 1/2

THIS DRAWING IS THE PROPERTY OF FLOWMORE SERVICES. THE INFORMATION CONTAINED HEREIN MAY NOT BE USED EXCEPT AS EXPRESSLY AUTHORIZED BY THE COMPANY. COPIES ARE NOT TO BE MADE WITHOUT WRITTEN PERMISSION OF THE OWNERSHIP OF THE COMPANY.

FINISH: RED SHOP PRIMER  
 MATERIAL: AS NOTED IN THE PROPOSAL

DRAWN BY: PLP	DATE: 2/4/99	SCALE: NONE
CHECKED BY:	DATE:	DWG NO.:
APPROV BY:	DATE:	PPP-150L